


Parts List			
ITEM	QTY	PART NUMBER	DESCRIPTION
1	1	311003	AIREND, SCI8D5
2	1	310850	STEM, OIL/THERM MANIFOLD
3	1	5012	ASSY, MORSE T4F OIL FILTER
4	1	5013	ASSY, MORSE T4F COALESCER
5	1	40070	ASSY, STEM COALESCER M27 x 1"
6	1	970608-050	ELBOW, HYD 1/2 MBSPP X 1/2 MJIC
7	1	970708-050	CONNECTOR, 1/2 MJIC X 1/2 MBSPP
8	2	970802-012	ADAPTER, 1/8 MBSPP X 1/8 FNPT
9	2	987304-012	ELBOW, 1/4 PTC X 1/8 MNPT 250 PSI 200 DEG
10	1	5033	VALVE, REGULATOR 1/4
11	2	960404-025	NIPPLE, HYD HEX 1/4
12	1	987304-025	ELBOW, 1/4 PTC X 1/4 MNPT 250 PSI 200 DEG
13	1	5034	VALVE, BLOWDOWN 1/4 NC
14	1	988808-025	TEE, 1/4 PTC X 1/4 PTC X 1/4 MNPT
15	2	974700-012	PLUG, 1/8 BSPP
16	1	907603-020	BUSHING, RED 3/4 X 1/2 GAL
17	1	960408-050	NIPPLE, HYD HEX 1/2
18	1	5025	VALVE, SERVICE 1/2 VENTED PORT
19	1	993504-047	PLUG, PIPE 1/4 WITH ORIFICE 3/64
20	1	970812-075	ADAPTER, 3/4 MBSPP X 3/4 FNPT
21	1	301594	DECAL, TEMP. COMPR.- 250 F
22	1	308525	SEAL, WASHER 1/2 MBSPP
23	1	993808-050	ADAPTER, 1/2 MBSPP X 1/2 MNPT
24	1	960704-025	ELBOW, HYD 1/4 FNPT X MNPT STREET
25	1	996208-050	ELBOW, 1/2 MJIC X 1/2 FJIC
26	1	906030-020	CAP, PIPE HEX 1/2 ZINC
27	1	309532	PULLEY, 3.0 2GR 3V
28	1	308884	BUSHING, JA 25MM X 1/4 KEY
29	1	5014	FILTER, AIR INTAKE 52MM
NS	1	301615	BOX, SHIPPING 34 1/2 X 20 1/2 X 26
NS	1	301617	SKID, SHIPPING 29 X 35 1/2
NS	3	306952	BOARD, 1 X 6 X 20 PINE
NS	2 ft	5035	TUBE, PARAFLEX 1/4 OD X .040 WALL X FT NYLON NATURAL
NS	1	5011	LUBRICANT, MORSE SCO 1000 5L
NS	1	306927-670	BELT, DOUBLE BANDED 3VX670
NS	3 1/2 ft	301701-175	SLEEVE, ABRASION 1 3/4" ID
NS	15 ft	304783-050	HOSE, SAE 100R5 FC350 1/2"
NS	4	304785-050	FITTING, HOSE 1/2 SAE 100R5 CRIMP JIC SWIVEL STR FEMALE
NS	1	140-90011	SWITCH, TEMP M1006 (230 DEG)

PROPRIETARY INFORMATION THIS DRAWING AND ALL ITS CONTENTS ARE PROPERTY OF MORSE INDUSTRIAL AND MUST NOT BE COPIED OR MADE PUBLIC. IT IS LOANED AND IS SUBJECT TO RETURN UPON DEMAND. THE INFORMATION CONTAINED IN THIS DRAWING IS CONFIDENTIAL AND MUST NOT BE USED, DIRECTLY OR INDIRECTLY, IN ANY WAY DETRIMENTAL TO THE INTEREST OF MORSE INDUSTRIAL.	MACHINED SURFACES DECIMAL DIM: 0.000 TO 1.000 ± .010 1.001 TO 5.000 ± .015 5.001 TO 10.000 ± .020 10.001 & OVER ± .025	UNMACHINED SURFACES FRACTIONAL ± 1/16 DECIMAL ± .03 ANGULAR ± 1° DO NOT SCALE TOLERANCES UNLESS NOTED.	 Antigonish Nova Scotia Phone: 647-393-1212 Fax: 902-867-6211
	DRAWN CRH 2/22/2018 CHECKED NDD 2/22/2018 MATERIAL N/A PATH G:\Engineering Documents\Inventor Files\80k\80466.dwg		
	SIZE C SCALE N/A DWG NO 80466		REV 0
	SHEET 1 OF 2		

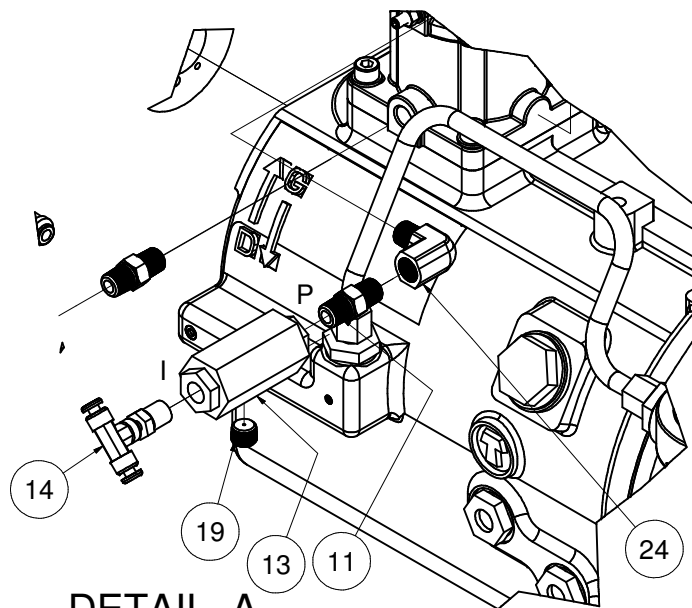
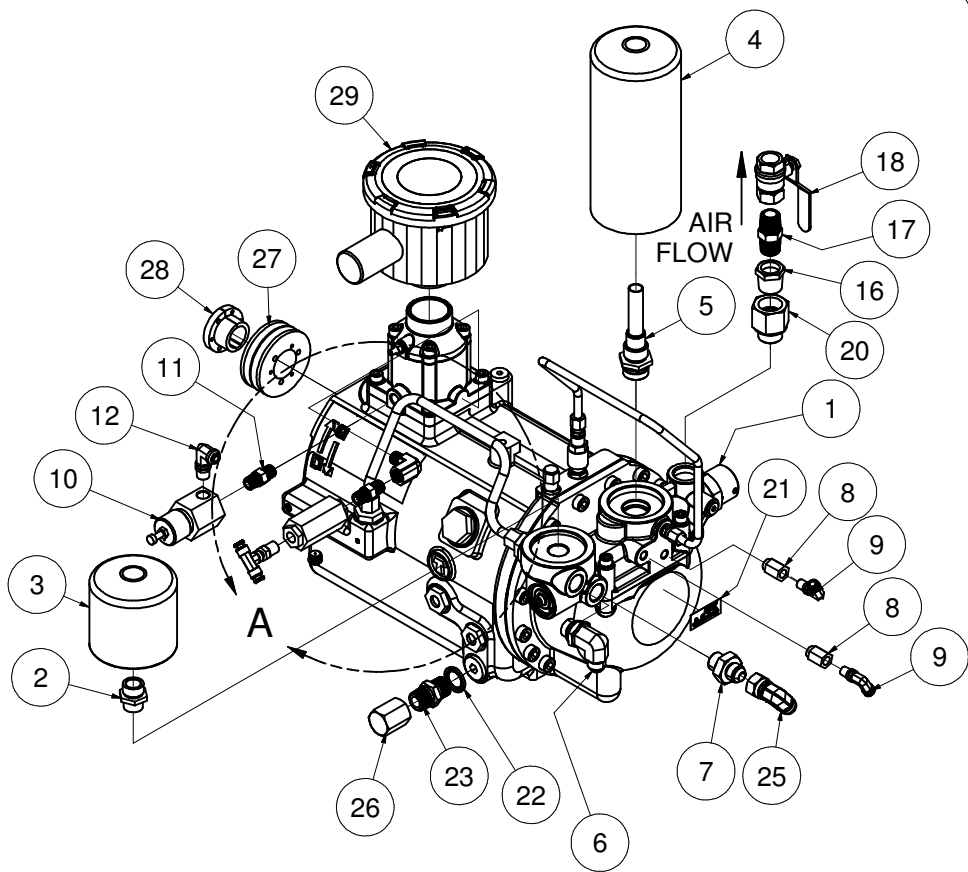
301960-025
3" LONG

301960-025
18" LONG

RECONNECT 1/4" TUBE FROM
COMPRESSOR DISCHARGE
PRESSURE GAUGE

OIL OUT TO
BOTTOM OF COOLER
OIL IN FROM TOP
OF COOLER

NOTE:
REMOVE THE 14GA. RED AND 14GA. BLACK
WIRES FOR THE N.O. REGULATED AIR SOLENOID.
THESE WIRES ARE NO LONGER NEEDED. FOLD
BACK WIRES INTO HARNESS. TAP EACH WIRE
ENDS TO PREVENT TOUCHING EACH OTHER.
(IF N.O. REGULATED AIR SOLENOID INSTALLED)



DETAIL A
SCALE 1 / 2

PROPRIETARY INFORMATION THIS DRAWING AND ALL ITS CONTENTS ARE PROPERTY OF MORSE INDUSTRIAL AND MUST NOT BE COPIED OR MADE PUBLIC. IT IS LOANED AND IS SUBJECT TO RETURN UPON DEMAND. THE INFORMATION CONTAINED IN THIS DRAWING IS CONFIDENTIAL AND MUST NOT BE USED, DIRECTLY OR INDIRECTLY, IN ANY WAY DETRIMENTAL TO THE INTEREST OF MORSE INDUSTRIAL.	MACHINED SURFACES DECIMAL DIM: 0.000 TO 1.000 ± .010 1.001 TO 5.000 ± .015 5.001 TO 10.000 ± .020 10.001 & OVER ± .025	UNMACHINED SURFACES FRACTIONAL ± 1/16 DECIMAL ± .03 ANGULAR ± 1° DO NOT SCALE TOLERANCES UNLESS NOTED.		Antigonish Nova Scotia Phone: 647-393-1212 Fax: 902-867-6211		
	DESCRIPTION KIT, REPLACEMENT T2 40KW SCI8D5					
	DRAWN CRH CHECKED NDD MATERIAL N/A PATH G:\Engineering Documents\Inventor Files\80K\80466.dwg	2/22/2018 2/22/2018	SIZE C	SCALE 1=4	DWG NO 80466	REV 0
					SHEET 2 OF 2	